

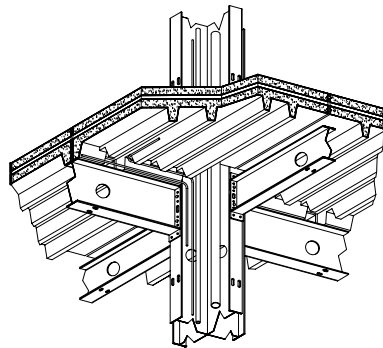
WE ARE- an architecture and engineering team
LOOKING FOR A COMPANY WILLING TO USE AND COMMERCIALIZE

A NEW WAY TO BUILD

(Belonging to the construction sector is not imperative)

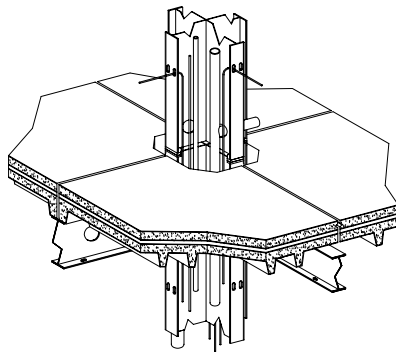
- | | | | | | |
|------------------------------|----------------------|-------------------------|----------------------|---------------|----------------------|
| 1. Business opportunities | CLIC | 3. Commercialization | CLIC | 5. Prototype | CLIC |
| 2. Technology + architecture | CLIC | 4. Business plan | CLIC | 6. Contact us | CLIC |

**OUR
PATENT
PENDING
INNOVATIVE
TECHNOLOGY**



▲ SEEN FROM BELOW
▼ SEEN FROM ABOVE

▶
**THE WYBUNIT
STRUCTURE:**
the connection point
between columns,
beams and floors.
(Advantages on
page W2)



The Wybunit technology supplants traditional construction and other systems. It can capture 80% of the huge world building market.

⇒ see page W4

MAIN ADVANTAGES

WYBUNIT builds at lower cost, faster, better.
Other advantages: ⇒ see page W2

MAIN CHARACTERISTICS

- All complementary building components made of metal, concrete, wood, bricks, etc are dimensionally compatible with the WYBUNIT structure and with one another, allowing industrial mass production.
- All vertical and horizontal services run throughout buildings in an innovative way.

TECHNOLOGY AND PATENTS ARE FOR SALE

(explained in our technical and architectural detailed brochure available by filling page W6)

ABOUT PATENTS ⇒ see also page W5

DISCOVER

3

**PROFIT
SOURCES**

**HIGH RETURN on
LOW INVESTMENT**
see
BUSINESS PLAN
data
on page W4

1. Any building contractor or any property developer can build cheaper, better and faster and sell buildings. ⇒ see page W2
2. Any person or company can have building components manufactured and sell them with sizeable profits.
⇒ see page W3
3. Anybody can earn royalties worldwide

WYBUNIT BUILDING SYSTEMS COMPANY W.B.S.

Phone : 32 (0)2 344 60 17

Fax : 32 (0)2 347 09 24

Avenue Adolphe DUPUICH, 3A B-1180 BRUSSELS BELGIUM

E-mail : contact@wybunit.be

www.wybunit.be